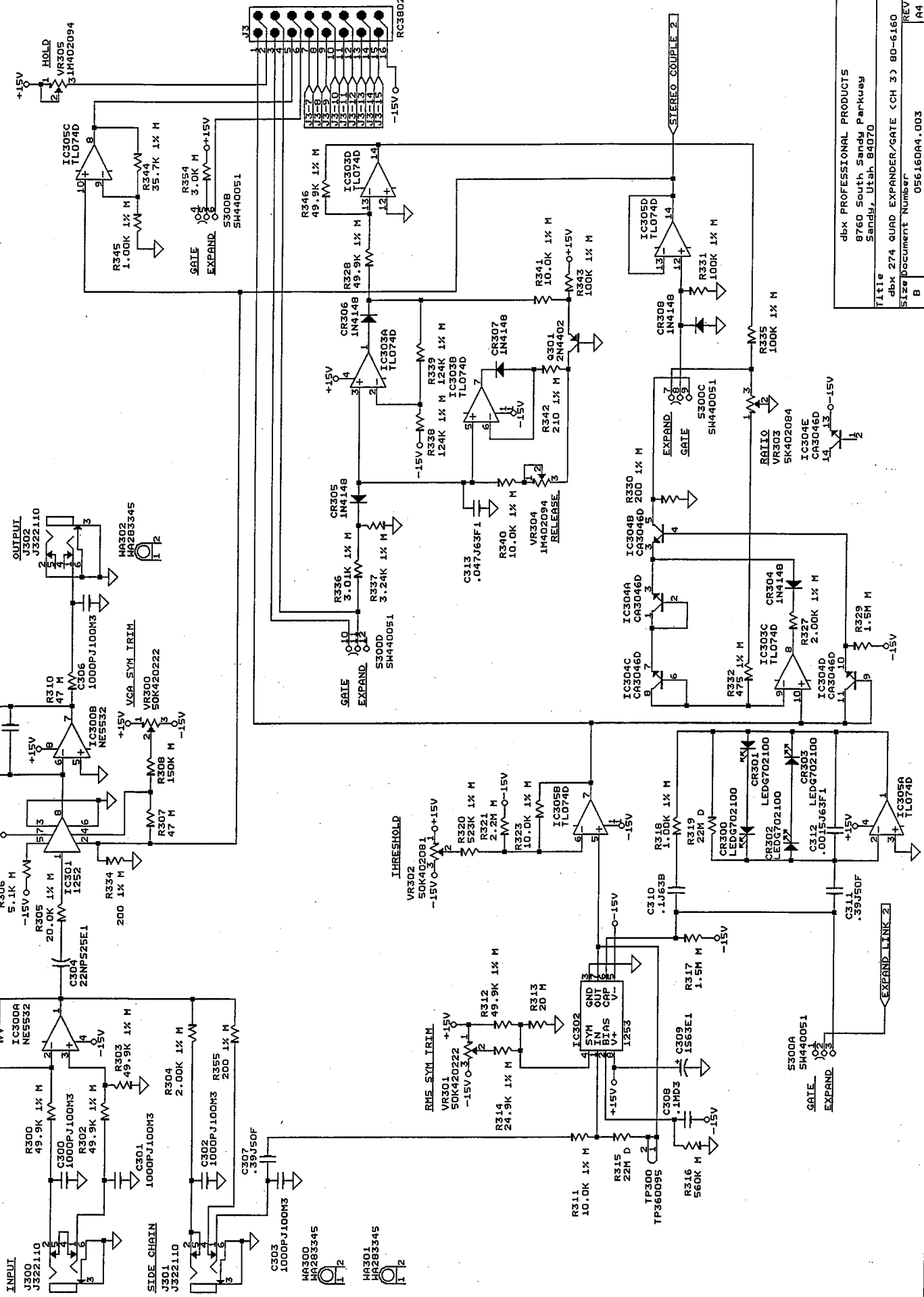


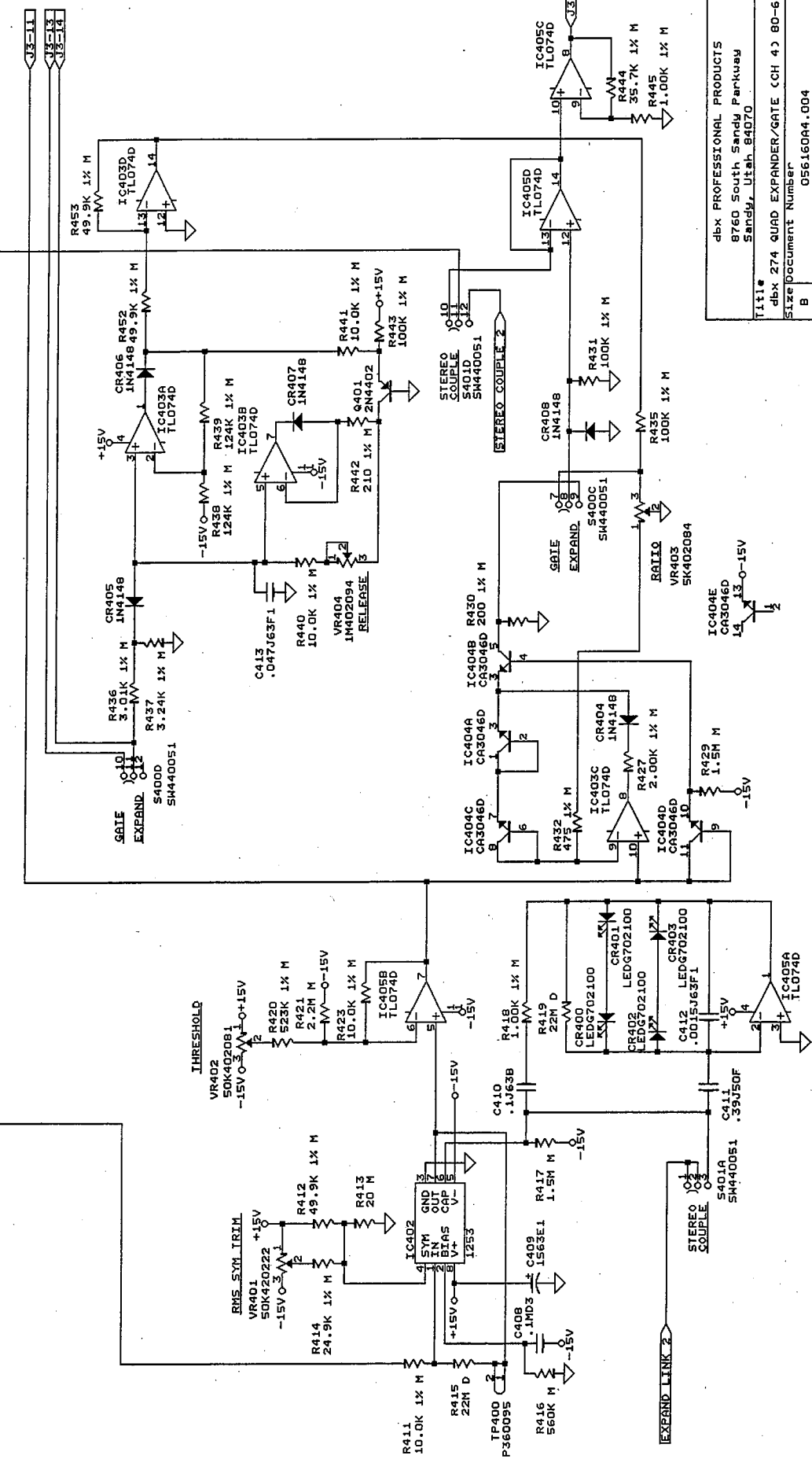
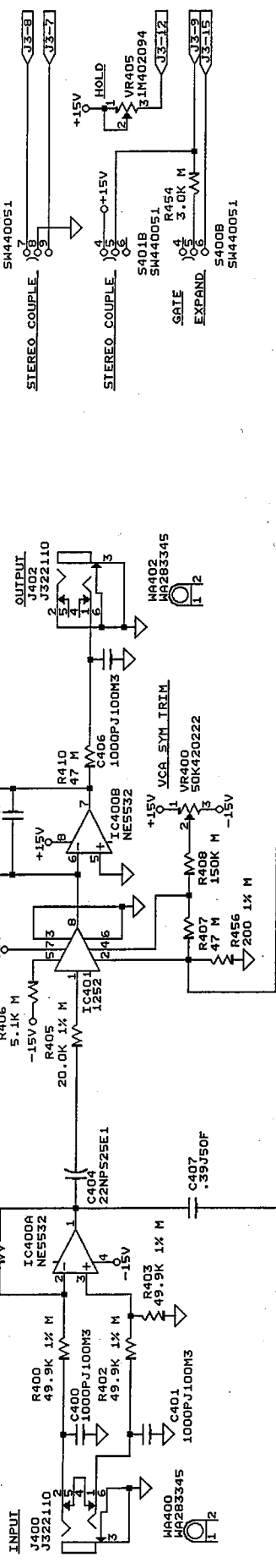
CHANNEL 3



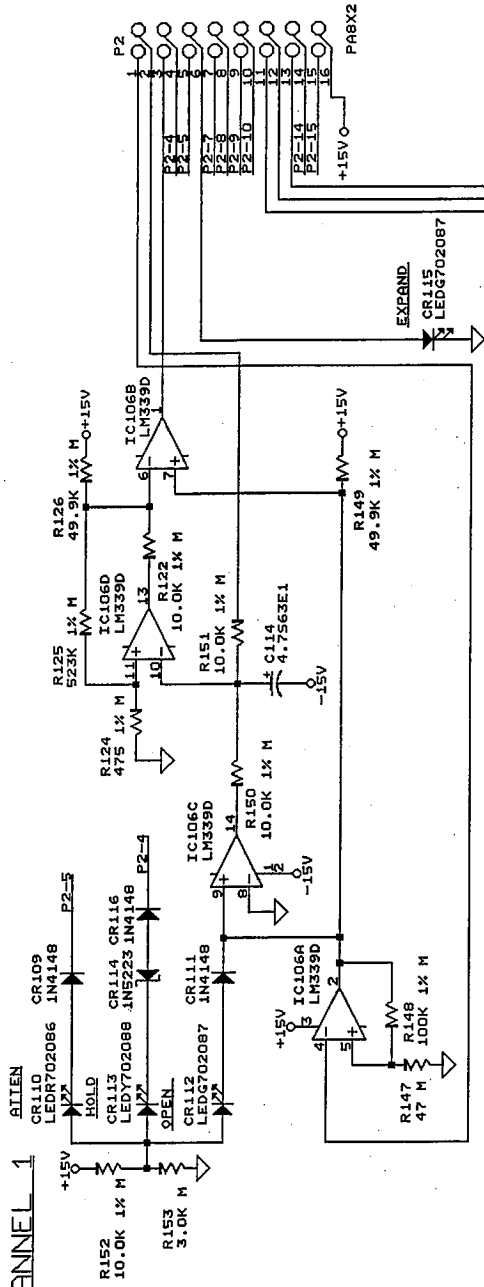
dbx PROFESSIONAL PRODUCTS
 8760 South Sandy Parkway
 Sandy, Utah 84070

Title
 dbx 274 QUAD EXPANDER/GATE (CH 3) 80-6160
 Size
 B
 Document Number
 056160A4.003
 REV
 A4
 Date: April 8, 1997 SHEET 3 of 6

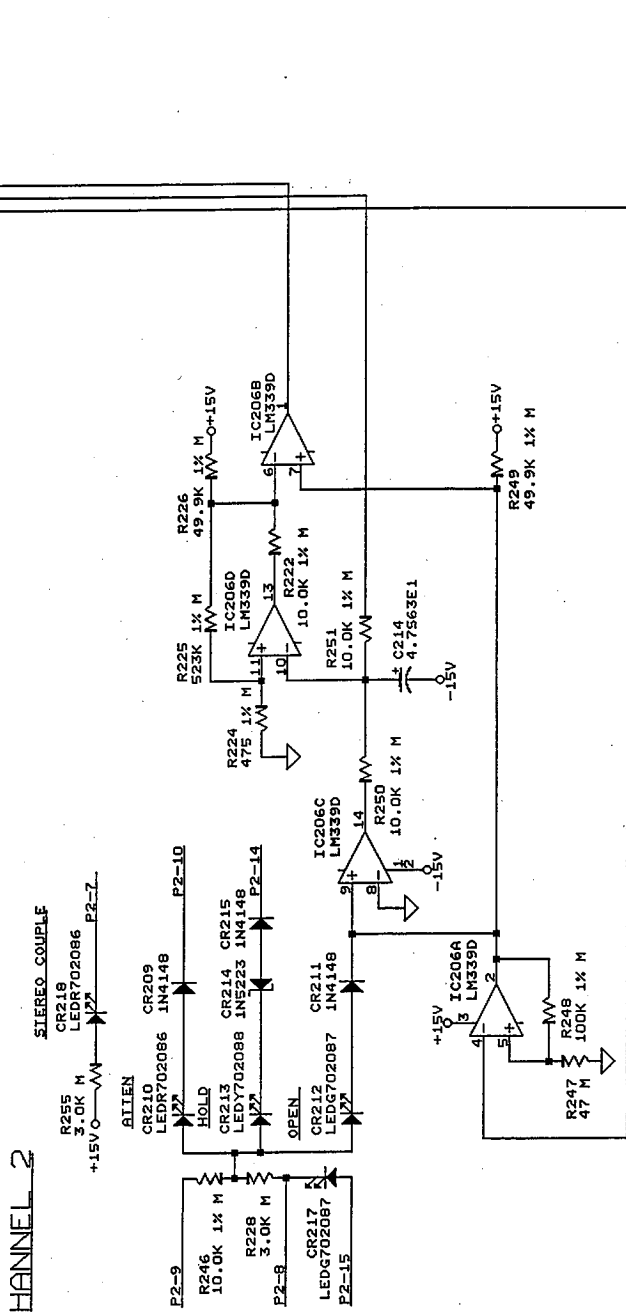
CHANNEL 4



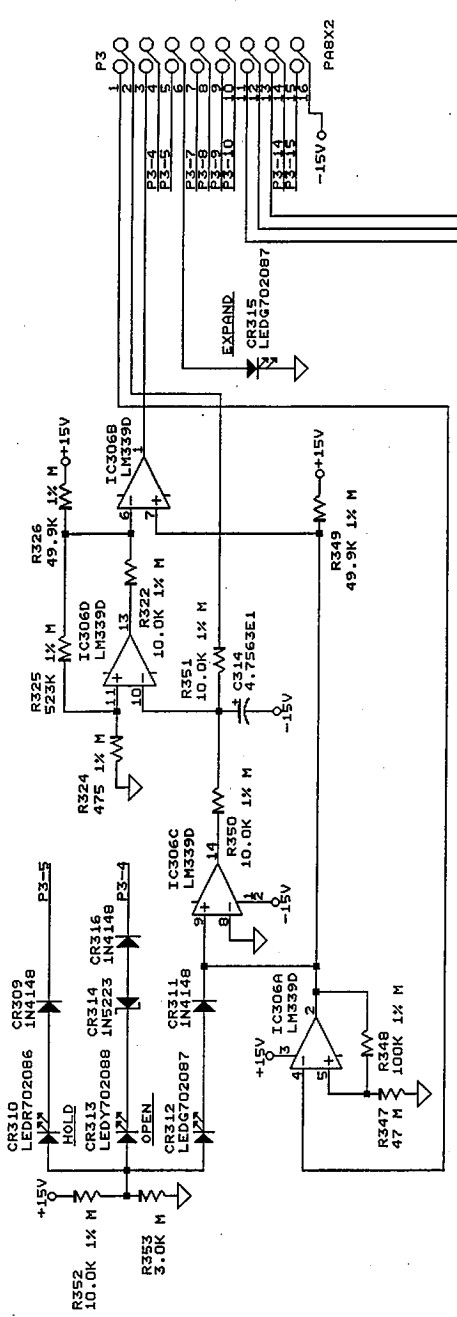
CHANNEL 1



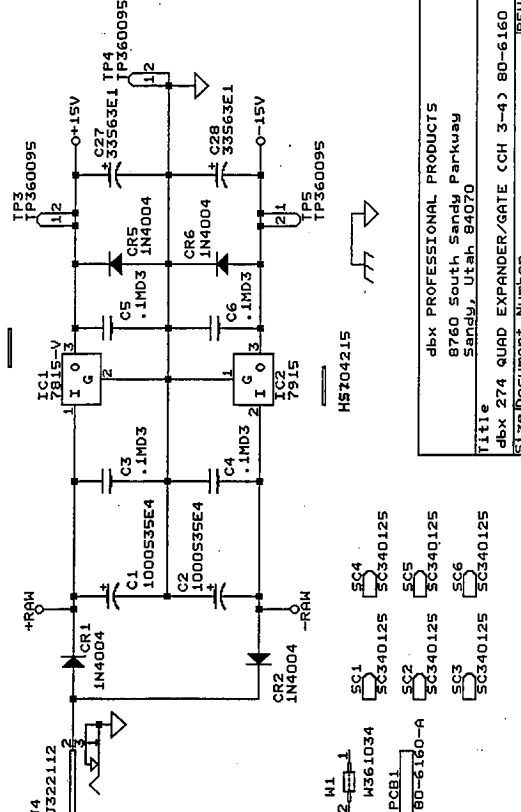
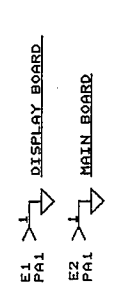
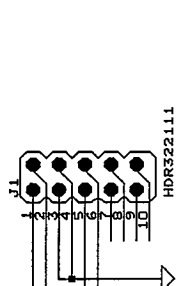
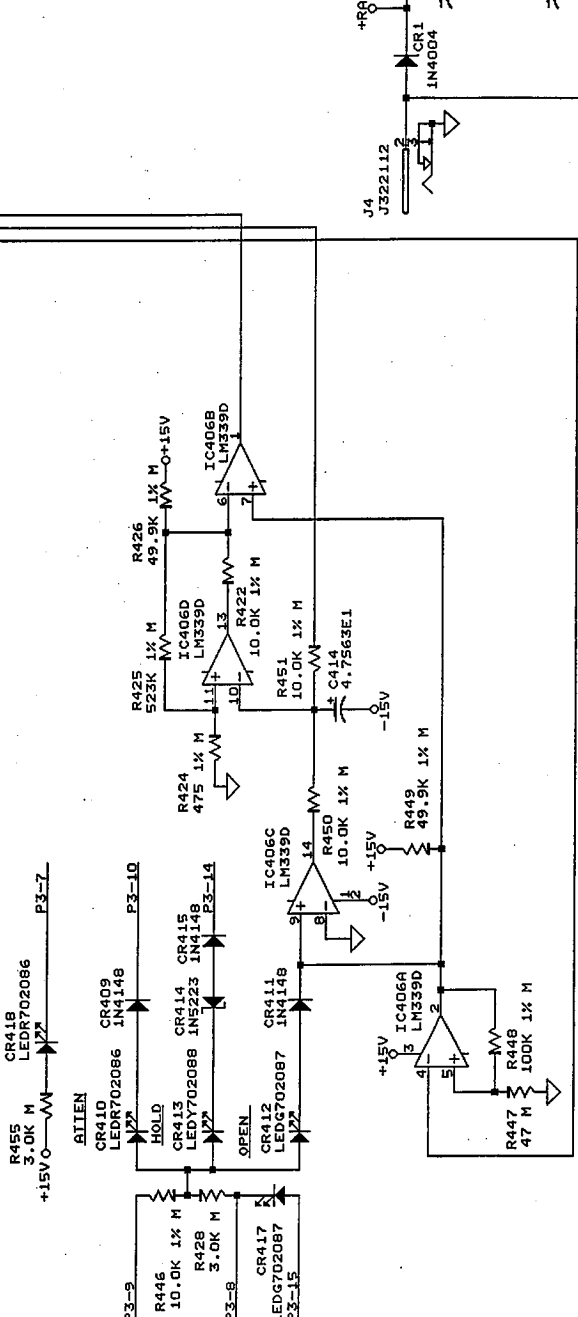
CHANNEL 2



CHANNEL 3 A11EN



CHANNEL 4 STEREO COUPLE



dbx PROFESSIONAL PRODUCTS
 8760 South Sandy Parkway
 Sandy, Utah 84070
 Title dbx 274 QUAD EXPANDER/GATE (CH 3-4) 80-6160
 Size Document Number 056160A4.006
 REV A4
 Date: April 7, 1987 Sheet 6 of 6

dbx 274 QUAD EXPANDER/GATE 80-6160 Revised: April 7, 1997

056160A4.000 Revision: A4

Bill Of Materials April 8, 1997 14:03:05

Quan Reference Part SYMAN Description

2	C1, C2	1000S35E4	60-0321	1000	uF Cap 35V -20/+100% Elect.	Long Lead
28	C3, C4, C5, C6, C7, C8, C9, C10, C11, C12, C13, C14, C15, C16, C17, C18, C19, C20, C21, C22, C23, C24, C25, C26, C108, C208, C308, C408	.1MD3	62-0060	.1	uF Cap 50V 20%	Ceramic AXL
2	C27, C28	33S63E1	60-0324	33	uF Cap 63V	Alum, Rad
16	C100, C101, C102, C103, C106, C200, C201, C206, C300, C301, C302, C303, C306, C400, C401, C406	1000PJ100M	62-0061	1000	pF Cap 100V 5%	Ceramic AXL, NPO
4	C104, C204, C304, C404	22NFS25E1	60-0322	22	uF Cap 25V -20/+20%	Elect. NP
4	C105, C205, C305, C405	47PJ100M3	62-0064	47	pF Cap 100V 5%	Ceramic AXL, NPO
8	C107, C111, C207, C211, C307, C311, C407, C411	.39J50F	56-3105	.39	uF Cap 50V 5%	M/Plyes Rad
4	C109, C209, C309, C409	1S63E1	60-0316	1	uF Cap 63V -20/+100%	Alum Rad T&R
4	C110, C210, C310, C410	.1J63B	56-5032	.1	uF Cap 63V 5%	M/Plyes Rad Box
4	C112, C212, C312, C412	.0015J63F1	56-5021	.0015	uF Cap 63V 5%	M/Plyes Rad T&R
4	C113, C213, C313, C413	.047J63F1	56-3102	.047	uF Cap 63V 5%	M/Plyes Rad T&R
4	C114, C214, C314, C414	4.7S63E1	60-1029	4.7	uF Cap 63V -20/+20%	Elect T&R
4	CR1, CR2, CR5, CR6	1N4004	70-0009	1N4004	Rect 1A 400V	
16	CR100, CR101, CR102, CR103, CR200, CR201, CR202, CR203, CR300, CR301, CR302, CR303, CR400, CR401, CR402, CR403	LEDG702100	70-2100	Green	Light Emitting Diode, T1 Case	
32	CR104, CR105, CR106, CR107, CR108, CR109, CR111, CR116, CR204, CR205, CR206, CR207, CR208, CR209, CR211, CR215, CR304, CR305, CR306, CR307, CR308, CR309, CR311, CR316, CR404, CR405, CR406, CR407, CR408, CR409, CR411, CR415	1N4148	70-0002	1N4148	Diode Silicon Switching, 75 Volts PIV	
6	CR110, CR210, CR218, CR310, CR410, CR418	LEDR702086	70-2086	Red	Light Emitting Diode, T1, C/B0.1	
8	CR112, CR115, CR212, CR217, CR312, CR315, CR412, CR417	LEDG702087	70-2087	Green	Light Emitting Diode, T1.75 Case, C/B0.1	
4	CR113, CR213, CR313, CR413	LEDY702088	70-2088	Yellow	Light Emitting Diode, T1.75 Case, C/B0.1	
4	CR114, CR214, CR314, CR414	1N5223	70-0041	1N5223	Diode Zener Glass, 1/2W, 50V, 10%	
2	E1, E2	PA1	00-0000	1	Pin Pad Pattern, Not a part	
2	HS1, HS2	HS704215	70-4215	Heatsink, PCB Mount, Vert., for TO-220		
1	IC1	7815-V	70-4123	7815 +15 Volt 1 A	Voltage Regulator TO-220	
1	IC2	7915	70-4124	7915 -15 Volt 1 A	Voltage Regulator TO-220	
4	IC100, IC200, IC300, IC400	NE5532	72-4316	5532	Low Noise Dual Op-Amp	
4	IC101, IC201, IC301, IC401	1252	72-4062	VCA, dbx UPC1252HA2	NEC Ungraded	
4	IC102, IC202, IC302, IC402	1253	72-4067	RMS Detector, dbx UPC1253HA2	NEC	
8	IC103, IC105, IC203, IC205, IC303, IC305, IC403, IC405	TL074D	72-4320	TL074	Quad JFet-Input Op-Amp	
4	IC104, IC204, IC304, IC404	CA3046D	72-4321	CA3046	Matched Transister Pairs	BPO
4	IC106, IC206, IC306, IC406	LM339D	72-4306	LM339	Quad Comparator	
1	J1	HDR322111	32-2111	10 Pin Hdr, 5X2, Straight, .23"	0.1" spacing	
2	J2, J3	RC380217	38-0217	16 Pin Ribbon Cable, Flat w/2 ends, 3.00"	0.1" spacing	

dbx 274 QUAD EXPANDER/GATE 80-6160

Revised: April 7, 1997

056160A4.000

Revision: A4

Bill Of Materials

April 8, 1997 14:03:05

Quan Reference Part SYMAN Description

1	J4	J322112	32-2112	DC Socket, Hor. PC Mount, 2.5/5.5mm
10	J100, J101, J102, J200, J202, J300, J301, J302, J400, J402	J322110	32-2110	Jack, 1/4" Phone, PC Mount, Hor., Cliff S2
2	P2, P3	PA8X2	00-0000	8X2 Pin Pad Pattern, Not a part
1	PCB1	80-6160-A	80-6160-A	dbx 274 MAIN/DISPLAY PCB, RAW
4	Q101, Q201, Q301, Q401	2N4402	70-1035	2N4402 PNP, TR SIGNAL
36	R100, R101, R102, R103, R112, R126, R128, R146, R149, R200, R201, R202, R203, R212, R226, R249, R252, R253, R300, R301, R302, R303, R312, R326, R328, R346, R349, R400, R401, R402, R403, R412, R426, R449, R452, R453	49.9K 1% M 52-1620	49.9 Kohm Resistor 1%	1/8 Watt Carbon Film Mini
6	R104, R127, R227, R304, R327, R427	2.00K 1% M 52-1624	2.00 Kohm Resistor 1%	1/8 Watt Carbon Film Mini
8	R105, R109, R205, R209, R305, R309, R405, R409	20.0K 1% M 52-1630	20.0 Kohm Resistor 1%	1/8 Watt Carbon Film Mini
4	R106, R206, R306, R406	5.1K M	5.1 Kohm Resistor 5%	1/8 Watt Carbon Film Mini
12	R107, R110, R147, R207, R210, R247, R307, R310, R347, R407, R410, R447	47 M	47 Ohm Resistor 5%	1/8 Watt Carbon Film Mini
4	R108, R208, R308, R408	150K M	150 Kohm Resistor 5%	1/8 Watt Carbon Film Mini
32	R111, R122, R123, R140, R141, R150, R151, R152, R211, R222, R223, R240, R241, R246, R250, R251, R311, R322, R323, R340, R341, R350, R351, R352, R411, R422, R423, R440, R441, R446, R450, R451	10.0K 1% M 52-1627	10.0 Kohm Resistor 1%	1/8 Watt Carbon Film Mini
4	R113, R213, R313, R413	20 M	20 Ohm Resistor 5%	1/8 Watt Carbon Film Mini
4	R114, R214, R314, R414	24.9K 1% M 52-1631	24.9 Kohm Resistor 1%	1/8 Watt Carbon Film Mini
8	R115, R119, R215, R219, R315, R319, R415, R419	22M D	22 Mohm Resistor 5%	1/4 Watt Carbon Film DBX
4	R116, R216, R316, R416	560K M	560 Kohm Resistor 5%	1/8 Watt Carbon Film Mini
8	R117, R129, R217, R229, R317, R329, R417, R429	1.5M M	1.5 Mohm Resistor 5%	1/8 Watt Carbon Film Mini
8	R118, R145, R218, R245, R318, R345, R418, R445	1.00K 1% M 52-1623	1.00 Kohm Resistor 1%	1/8 Watt Carbon Film Mini
8	R120, R125, R220, R225, R320, R325, R420, R425	523K 1% M 52-1610	523 Kohm Resistor 1%	1/8 Watt Carbon Film Mini
4	R121, R221, R321, R421	2.2M M	2.2 Mohm Resistor 5%	1/8 Watt Carbon Film Mini
8	R124, R132, R224, R232, R324, R332, R424, R432	475 1% M 52-1600	475 Ohm Resistor 1%	1/8 Watt Metal Film Mini
10	R130, R134, R155, R230, R256, R330, R334, R355, R430, R456	200 1% M 52-1618	200 Ohm Resistor 1%	1/8 Watt Carbon Film Mini
16	R131, R135, R143, R148, R231, R235, R243, R248, R331, R335, R343, R348, R431, R435, R443, R448	100K 1% M 52-1635	100 Kohm Resistor 1%	1/8 Watt Carbon Film Mini
4	R136, R236, R336, R436	3.01K 1% M 52-1625	3.01 Kohm Resistor 1%	1/8 Watt Carbon Film Mini
4	R137, R237, R337, R437	3.24K 1% M 52-1603	3.24 Kohm Resistor 1%	1/8 Watt Carbon Film Mini

dbx 274 QUAD EXPANDER/GATE 80-6160

Revised: April 7, 1997

056160A4.000

Revision: A4

Bill Of Materials

April 8, 1997

14:03:05

Quan Reference

Part

SYMAN

Description

8	R138, R139, R238, R239, R338, R339, R438, R439	124K 1 $\frac{1}{2}$ M	52-1621	124	KOhm Resistor	1 $\frac{1}{8}$	1/8	Watt Carbon Film Mini
4	R142, R242, R342, R442	210 1 $\frac{1}{2}$ M	52-1622	210	Ohm Resistor	1 $\frac{1}{8}$	1/8	Watt Carbon Film Mini
4	R144, R244, R344, R444	35.7K 1 $\frac{1}{2}$ M	52-1606	35.7	KOhm Resistor	1 $\frac{1}{8}$	1/8	Watt Metal Film Mini
10	R153, R154, R228, R254, R255, R353, R354, R428, R454, R455	3.0K M	50-0405	3.0	KOhm Resistor	5 $\frac{1}{8}$	1/8	Watt Carbon Film Mini
6	S100, S200, S201, S300, S400, S401	SW440051	44-0051		Mini In/Out 4PDT Switch	(12 Pin)		E-Switch
6	SC1, SC2, SC3, SC4, SC5, SC6	SC340125	34-0125		Switch Cap,	Black		
7	TP3, TP4, TP5, TP100, TP200, TP300, TP400	TP3660095	36-0095	2	Pin Test Point	For DBX		
8	VR100, VR101, VR200, VR201, VR300, VR301, VR400, VR401	50K420222	42-0222	50	K Trim Pot,	Vertical		Mount, 3/4 turn
4	VR102, VR202, VR302, VR402	50K402081	40-2081	50	K "B" 16mm,	Rot Pot,		15mm D shaft horiz mt.
4	VR103, VR203, VR303, VR403	5K402084	40-2084	5	K "C" 16mm,	Rot Pot,		15mm D shaft horiz mt.
8	VR104, VR105, VR204, VR205, VR304, VR305, VR404, VR405	1M402094	40-2094	1	M "D" 16mm,	Rot Pot,		15mm D Shaft
1	W1	W361034	36-1034		Wire,	2 End,	3.00"	Green, 26AWG PVC
10	WA100, WA101, WA102, WA200, WA202, WA300, WA301, WA302, WA400, WA402	WA283345	28-3345		Washer,	Ground		